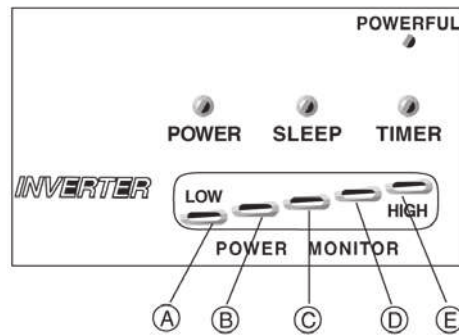


15. Power Monitor Display



Power Monitor LED lights on when the compressor is in operation. The number of the LED lights on is in accordance to the compressor operating frequency.

Model	Display	A	A, B	A, B, C	A, B, C, D	A, B, C, D, E
CS-G95KE	Cooling & Soft Dry Indication Frequency (Hz)	15 ~ 26	31 ~ 33	36 ~ 40	43 ~ 46	51 ~ 64
	Heating Indication Frequency (Hz)	15 ~ 26	31 ~ 40	43 ~ 58	63 ~ 64	71 ~ 99
CS-G125KE	Cooling & Soft Dry Indication Frequency (Hz)	15 ~ 27	31 ~ 36	44 ~ 49	58 ~ 64	71 ~ 92
	Heating Indication Frequency (Hz)	15 ~ 27	31 ~ 44	58 ~ 79	83 ~ 86	91 ~ 115

16. Remote Control Signal Receiving Sound ON/OFF

- Press the Auto button (at indoor unit) for 16 seconds or < 21 seconds. “Beep” “beep” “beep” “beep” will be heard at 16th second. Remove the back cover of Remote Control, short the diagnosis (診断) terminals at the back of remote control to switch to Remote Control signal receiving sound ON/OFF mode. One “beep” will be heard*. Then, press the Auto button once again, “beep” sound will be heard. The Remote Control signal receiving sound has been turned off.
- Repeat the above procedure or reset the main power supply to switch on the remote control signal receiving sound.

* If “beep” “beep” sound is heard and “E1” or “E2” is displayed, the setting has been switched to H14 diagnosis mode. Refer Servicing Information for more details.

17. Indoor Power Relay Control

- The power relay turns on when one of the indoor LED lights on.
- The power relay turns off when all of the indoor LEDs lights off.
- When the air conditioner is stopped during operation, the power relay stays ON for 3 minutes.
- The power relay will turn off if a sudden power failure occurs ≥ 0.05 second. The power relay will turn on again after 3-4 minutes (Refer AUTO RESTART CONTROL). It will start with the previous operation condition before the power failure.